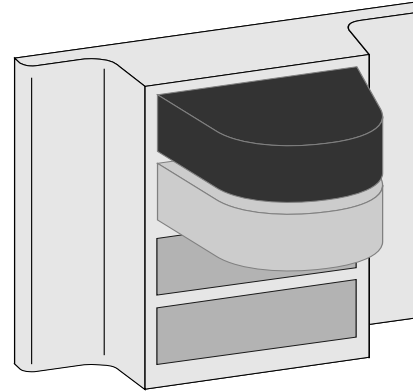


### Model MDLS/W42

### 4-SECTION DOME LAMP

- Up to Four Separate Visual Signals
- Maximum Visibility from all Sides
- Faceplate Rated 940V-O by UL
- Plug-in Lenses and Sockets
- Filler Plates Available for Unused Openings
- Flexible Installation

- INFOSTAR<sup>®</sup>/HCP
- CARE/COM<sup>®</sup> II-E
- FUTURA II
- CARE/COM<sup>®</sup> II
- STATCOM



### DESCRIPTION

Surface, wall or ceiling mounted modularly constructed dome lamp with provisions for up to four colored lenses (white, green, amber, red, or blue). The dome light base consists of a yoke assembly, faceplate, tubular fasteners, and pan head screws. The lamps, lamp sockets and colored lenses are ordered separately as required. When the dome lamp is not fully equipped with four lamps, filler plates are available to cover the unequipped openings.

### COMPONENTS REQUIRED

The dome lamp components available separately are:

Lamp	30-23-01820
Lamp Socket	A44835
White Lens	A44376-1W
Green Lens	A44376-1G
Amber Lens	A44376-1A
Red Lens	A44376-1R
Blue Lens	A44376-1B
Filler Plate	A44377

### LAMPS

28V at 100ma. Miniature bayonet base type.

### INSTALLATION

A yoke is supplied to allow mounting into a standard two-gang electrical box. The yoke will permit correction of minor misalignment of backbox. The faceplate is mounted into yoke without the need for mounting screws.

### HOUSING AND FINISH

**Dome Lamp:** Flame-retardant, molded thermoplastic faceplate finished in off-white.

**Backbox:** UL-listed, flush-mount with two gang opening, supplied by others.

### DIMENSIONS

**Faceplate:** 4-9/16" (11.59 cm) wide x 4-1/2" (11.43 cm) high.

**Surface Housing:** 4-3/4" (12.07 cm) square x 2-3/4" (6.99 cm) deep.

**Backbox:** 4-11/16" (11.91 cm) square electrical box with two-gang adapter for total depth of 2-7/8" (7.30 cm), supplied by others.

### MOUNTING HEIGHT

7.5' from floor.

## ARCHITECTS' AND ENGINEERS' SPECIFICATIONS

### 4-SECTION DOME LAMP

The surface wall- or ceiling-mounted Model MDLS/W42 Dome Lamp shall be of modular construction to permit the greatest flexibility in terms of application and installation. The dome lamp shall be clearly visible from all directions. Each dome lamp has provisions for up to four colored lamp sections (of which three- preferably, white, red, and blue, are used).

The dome light base consists of a yoke assembly, faceplate, tubular fasteners, and pan head screws. Lamps, lamp sockets, and colored lenses shall be ordered separately as required. When the dome lamp is not fully equipped with four lamps, filler plates shall be available to cover the unequipped openings. Required dome lamp components available separately shall be as follows:

Lamp	30-23-01820
Lamp Socket	A44835
White Lens	A44376-1W
Green Lens	A44376-1G
Amber Lens	A44376-1A
Red Lens	A44376-1R
Blue Lens	A44376-1B
Filler Plate	A44377

The lamp shall be a miniature bayonet base type and shall operate on 28V at 100ma. Plug-in lenses and lamp sockets shall allow easy replacement of lamps.

For ease of installation and maintenance, a yoke shall be provided to allow mounting of the dome lamp into an existing vertically mounted UL-listed metal surface or flush-mount backbox with a two-gang adapter, and shall permit correction of minor backbox misalignment. The faceplate shall mount into the yoke without the need for mounting screws. The dome lamp shall be mounted 7.5' from floor.

The dome lamp faceplate shall be made of high-impact molded thermoplastic finished in off-white, which shall also have non-shattering and low water absorption characteristics and shall be self extinguishing rated 94V-O by UL. The backbox shall be surface- or flush-mount, with a two-gang adapter, available separately. The dimensions shall be: **faceplate** - 4-9/16" (11.59 cm) wide x 4-1/2" (11.43 cm) high; **surface housing** - 4-3/4" (12.07 cm) square x 2-3/4" (6.99 cm) deep, available separately; **flush backbox** - 4-11/16" (11.91 cm) square electrical box with two-gang adapter for total length of 2-7/8" (7.30 cm), available separately.