

Installation Instructions

UltraCube® Suspended Track

FIG. 1

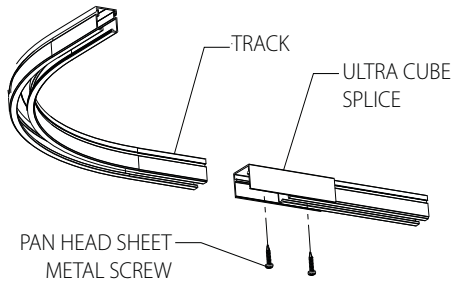


FIG. 2

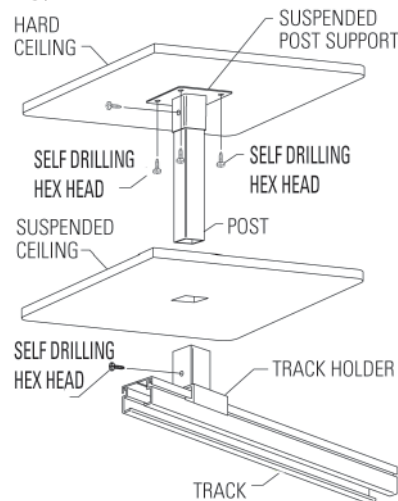
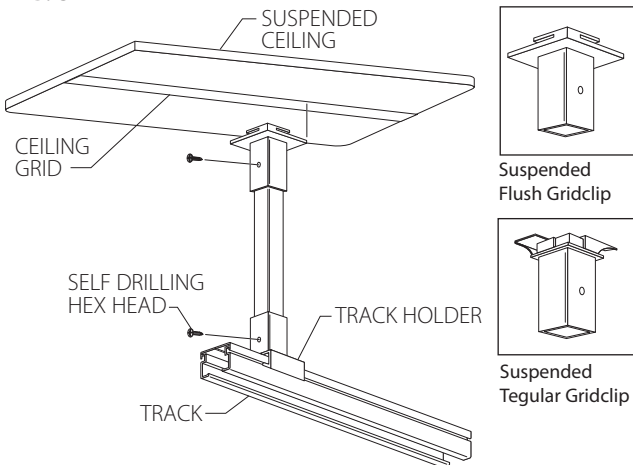


FIG. 3



Note: Verify the drop ceiling is installed and functioning properly before installing track.

1. Layout track sections and bends on the floor. Join bends to straight sections of track with a splice. Attach splice to track with sheet metal screws. Trim track sections as required by layout. SEE FIG. 1

Mounting to a hard ceiling. SEE FIG. 2:

- A1. Attach top support bracket to the hard ceiling with the appropriate fasteners for the substrate e.g. drywall screws on drywall. Supports should be located at splices and spaced 2 feet apart on straight runs.
- A2. Cut post to appropriate length and attach it to the top support bracket.
- A3. Cut square holes through the ceiling for the posts. Screw the bottom track holder to the post.
- A4. Attach the track assembly to the bottom track holder on the post.
- A5. Attach L-Bracket where the track meets the wall. Drill holes in L-bracket and attach it to the wall with two #10 x 1-3/4" sheet metal screws and alligator anchors. Fasten the track to the L-Bracket with one #8x1/2" hex head self-drilling screw. SEE FIG. 4.

With suspended support gridclips attached to the suspended ceiling grid. SEE FIG. 3:

- B1. Attach suspended support gridclips on the ceiling grid with one clip every 2 feet. Use suspended flush gridclips for flush ceiling tiles and suspended tegular gridclips for tegular edge ceiling tiles.
- B2. Cut post to appropriate length and attach it to the gridclips.
- B3. Screw the bottom track holder to the post.
- B4. Attach the track assembly to the bottom track holder on the post.
- B5. Attach L-Bracket where the track meets the wall. Drill holes in L-bracket and attach it to the wall with two #10 x 1-3/4" sheet metal screws and alligator anchors. Fasten the track to the L-Bracket with one #8x1/2" hex head self-drilling screw. SEE FIG. 4.

IPC.520/REV.11

Installation Hotline • 866.EZINPRO
 Inprocorp.com • 800.222.5556 • 262.679.9010
 World Headquarters S80 W18766 Apollo Drive, Muskego, WI 53150 USA

CLICKEZE®
 PRIVACY SYSTEMS
 A DIVISION OF INPRO®

Installation Instructions

UltraCube® Suspended Track

FIG.4

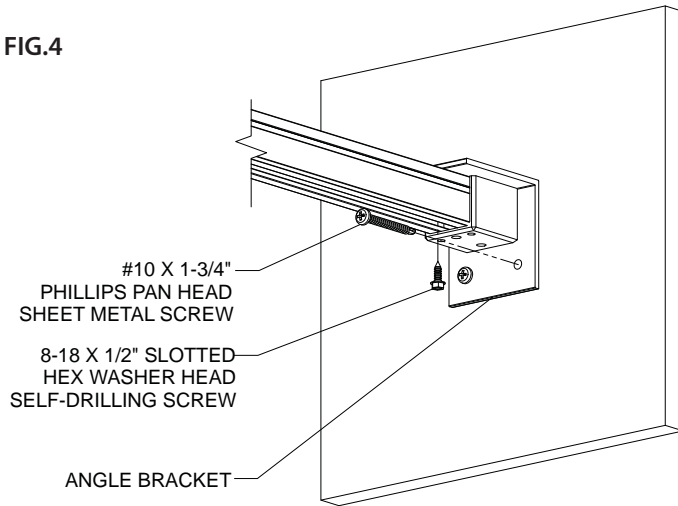
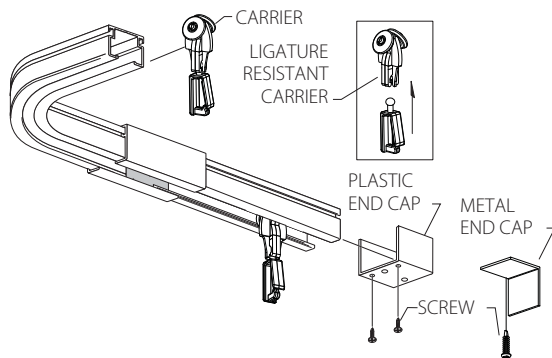


FIG. 5

Option. 2a1



2. Slide the carriers on the track and attach end caps (plastic or metal) on the open ends. SEE FIG. 5

Option 2a. If using the Ligature Resistant* Carrier:

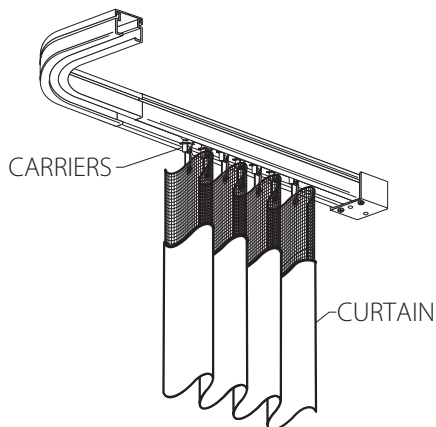
2a1. Snap carrier onto body.

2a2. Place carrier hooks into curtain grommets. Lock carriers into place.

2a3. Slide carriers on the track.

* While these products are designed for behavioral health applications, they do not guarantee patient safety.

FIG. 6



3. Attach curtains to the carriers. SEE FIG. 6