

## Magnetic Switches

### 60 Series



Edwards magnetic switches are designed to activate a variety of signaling devices. Normally open circuits close when the magnet engages. SPDT switches are for open circuit systems or for central office operation. Normally closed circuits open when the magnet engages. For accessories, see Magnetic Switch Accessories, page 10-24.

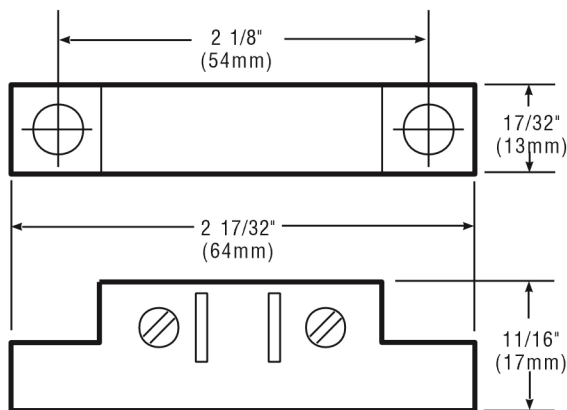
Used for commercial, industrial, and residential burglar alarm systems.

#### FEATURES

- > Normally open , normally closed or SPDT switches available

Cat. No. 63 magnetic switch is supplied complete with 66-W Insulating Spacer, 67W Terminal Cover, and mounting hardware

Note: Contact type, normally open, Normally closed and SDPT is with the switch away from the magnet.



| Cat. No. | Description            | Color | Rating                        |
|----------|------------------------|-------|-------------------------------|
| 60       | Normally Open Switch   | Gray  | 100 V, <del>50 mA</del> 500mA |
| 61       | SPDT Switch            | Gray  | 30 V, 250 mA                  |
| 62       | Normally Closed Switch | Gray  | 30 V, 250 mA                  |
| 63       | Normally Open switch   | White | 100 V, <del>50 mA</del> 500mA |
| 64       | SPDT Switch            | White | 30 V, 250 mA                  |
| 65       | Normally Closed Switch | White | 30 V, 250 mA                  |