

Patrol wallbox dimmable nightlight combination

Project Name:	Prepared By:
Project Number:	Date:
Catalog Number:	Type:

Description

Single-Pole Switch,
2-Pole 3-Wire Receptacle; NEMA 5-15R, 5-20R
1W Nightlight
120V/AC



7738



TR7735



7737

Design features

- Nightlight is dimmable to desired setting
- Nightlight is controlled by a photo sensor that turns on in the dark, off in light
- Easily disable photo sensor for Hi/Med/Low/Off settings
- Tamper resistant shutters provide compliance with 2014 NEC®Article 406.12 that states that all 15A and 20A, 125V receptacles installed in dwelling units must be tamper resistant (TR7735 and TR7736)
- Automatic grounding system eliminates need for bonding jumper in grounded metal enclosure, provides redundant measure of ground continuity where jumper is used
- Thermoplastic top and back-body are virtually unbreakable to deliver years of durable performance
- Steel mounting strap is zinc-plated for added corrosion resistance
- Ultrasonic welding and integrated construction of the strap and body provide superior ground integrity even under heavy use
- Convenient built-in wire strippers speed installation
- Backwire clamps on side terminals provide for easy installation of #12 and #14 AWG
- Triple wipe blade contacts and double wipe ground contacts to ensure long-term plug retention (TR7735 and TR7736)
- Tri-combo screw heads offer greater installation flexibility

Table 1. LED nightlight combination with switch

Catalog no.	Description	Rating			Color suffix
		A	V/AC	W	
□ 7738__	One single-pole switch with nightlight, back & side wire	15	120	1	A, BK, LA, V, W

Table 2. LED nightlight combination with receptacle

Catalog no.	Description	Rating			Color suffix
		A	V/AC	W	
□ TR7735__	Nightlight with single tamper resistant NEMA 5-15R 2-pole, 3-wire receptacle, back & side wire	15	125	1	A, BK, LA, V, W
□ TR7736__	Nightlight with single tamper resistant NEMA 5-20R, 2-pole, 3-wire receptacle back & side wire	20	125	1	A, BK, LA, V, W

Table 3. Full LED nightlight

Catalog No.	Description	Rating			Color Suffix
		A	V/AC	W	
□ 7737__	Full hallway nightlight, back & side wire		120	1	A, BK, LA, V, W



Powering Business Worldwide

Technical Data

Effective July 2015

Project Name:	Prepared By:
Project Number:	Date:
Catalog Number:	Type:

Applications

Arrow Hart's patrol line of dimmable wallbox nightlights is the only combination nightlight device on the market that allows for dimming to set the perfect level of light desired. Patrol offers improved way finding and safe navigation in dimly lit rooms and the nightlights are also automated, using a light-sensor to automatically turn the nightlight ON and OFF. The patrol nightlight series has many possible applications in both residential and commercial settings including bedrooms, bathrooms, kitchens, children's rooms, hotel rooms, dormitories and assisted living facilities. The 7737 full nightlight devices can also be wired in a series and controlled by a switch for applications such as hallways or stairways.

Table 4. Specifications

Catalog no.	7738 Series	TR7735 and TR7736 Series	7737 Series
Device type	Combination LED nightlight switch	Combination LED nightlight receptacle (15A, 20A),	Full nightlight
Wiring type	Back & side wire	Back & side wire	Back & side wire
Testing & code compliance	• cULus listed to UL1472, file no. E47967	• cULus listed to UL1472, file no. E47967	• cULus listed to UL1472, file no. E47967
Environmental specifications	Flammability: meets UL 94 requirements; V2 rated Temperature rating: -20°C to 60°C (-4°F to 140°F)	Flammability: meets UL 94 requirements; V2 rated Temperature rating: -20°C to 60°C (-4°F to 140°F)	Flammability: meets UL 94 requirements; V2 rated Temperature rating: -20°C to 60°C (-4°F to 140°F)
Electrical specifications	Dielectric voltage: switch withstands 1500V per UL20. Temperature rise: max 30°C (86°F) after 100 cycles of overload and 30,000 cycles of endurance testing Current interrupting: yes, at full-rated current	Dielectric voltage: receptacle withstands 2000V per UL498 Temperature rise: max. 30°C (86°F) after 100 cycles of overload @ 150% of rated current (DC). Current interrupting: yes, at full-rated current.	Dielectric voltage: 1240V per UL1598 Temperature Rise: max. 30°C (86°F) Current interrupting: yes, at full-rated current.
Mechanical specifications	Wiring types: Single-pole Base device terminal accommodation: #14 - #12 AWG Voltage ratings: permanently marked on device	Wiring types: NA Base device terminal Accommodation: #14 - #12 AWG Voltage ratings: permanently marked on device	Wiring types: NA Base device terminal accommodation: #14 - #12 AWG Voltage ratings: permanently marked on device

Table 5. Materials

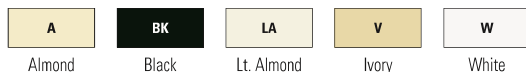
Catalog no.	7738 Series	TR7735 and TR7736 Series	7737 Series
Face	PVC	PVC	PVC
Base	PVC	PVC	PVC
Backlight	PC	PC	PC
Strap	0.045" thick steel, zinc plated	0.045" thick steel, zinc plated	0.045" thick steel, zinc plated
Auto ground clip	Phosphor bronze	Phosphor bronze	Phosphor bronze
Line contacts	0.030" thick brass	0.030" thick brass	0.030" thick brass
Ground contacts	NA	0.030" thick double wipe brass	NA
Terminal screws	#8-32 steel, brass plated	#8-32 steel, brass plated; neutral screw nickel plated	#8-32 steel, brass plated; neutral screw nickel plated
Ground screw	#8-32 steel, zinc plated, green	#8-32 steel, zinc plated, green	#8-32 steel, zinc plated, green

Table 6. Illumination

Catalog no.	7738 Series	TR7735 and TR7736 Series	7737 Series
Light source	3 LED's, 140 Max lumens output, 1Fc @ 0.9 ft., 50,000 hours lamp life	3 LED's, 140 Max lumens output, 1Fc @ 0.9 ft., 50,000 hours lamp life	3 LED's, 140 Max lumens output, 1Fc @ 0.9 ft., 50,000 hours lamp life

Table 7. Color ordering information

For ordering devices, include Cat. no. followed by the color code: A (Almond), BK (Black), LA (Light Almond), V (Ivory), W (White)



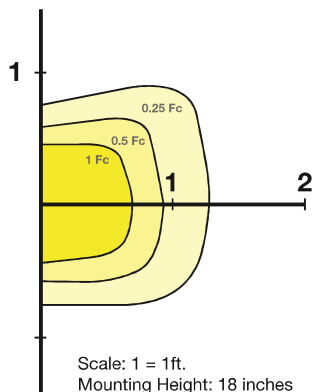
Project Name:	Prepared By:
Project Number:	Date:
Catalog Number:	Type:

Nightlight photometric data

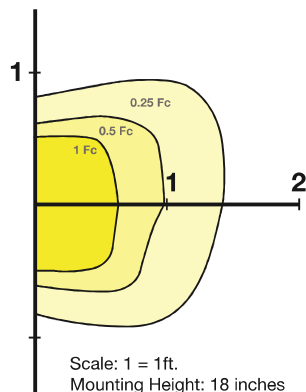
RECEPTACLE

FULL

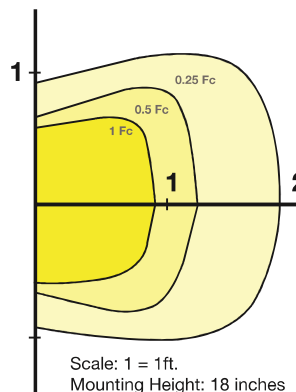
SWITCH



7738



TR7736



7737

Certifications & compliances

Catalog No.	cULus	UL	FCS	USA	CS	RoHS
7738	•					
TR7735	•					
TR7736	•					
7737	•					

KEY: cULus cULus UL FCS Fed Spec USA NAFTA ROHS

Parts are manufactured and designed in accordance with article 4 of the European Union's RoHS2 directive 2011/65/EU

Electrical Sector
203 Cooper Circle
Peachtree City, GA 30269
United States
Eaton.com
Cooperwiringdevices.com

Electrical Sector
Canada Operations
5925 McLaughlin Road
Mississauga, Ontario, L5R 1B8
Canada
EatonCanada.ca
Cooperwiringdevices.com

Electrical Sector
Mexico Operations
Carr. Tlalhepantla -
Cuautitlan Km 17.8 s/n
Col. Villa Jardin esq.
Cerrada 8 de Mayo
Cuautitlan, Mexico CP 54800
Mexico
Eaton.mx
Cooperwiringdevices.com

Eaton
1000 Eaton Boulevard
Cleveland, OH 44122
United States
Eaton.com

© 2015 Eaton
All Rights Reserved
Printed in USA
Publication No. E125-0226-14
July 2015

Eaton is a registered trademark.

All other trademarks are property
of their respective owners.