



Emergency Stations – Pull String, Single Status

with water resistant auxiliary contact and LED options

E-114, E-114-1, and E-114-3 enter WP suffix for water resistant



E-114/E-114-1

E-114-3

Description: The E-114, E-114-1 and E-114-3 Emergency Stations feature satin finished stainless steel faceplates with silk-screened designations. The E-114-3 also has a LED light to confirm call placement. WP versions have a gasket making the station splash proof for use in shower applications. Stations are wall mounted with a four-foot call cord.

Operation: Pulling the four-foot germ free, glow in the dark cord on the cord on CORNELL's Emergency Station activates a call for help. To cancel the call, slide the switch to the off position. This E-114 series pull stations are designed for single status applications. If you have a dual status application select the E-104 pull string product.

Accessory Outputs: The E-114, E-114-1 and E-114-3 have DPDT contacts and pigtail wires. The E-114 has four; the E-114-1 has seven and the E-114-3 has eight pigtail wires.

Mounting: The satin finish stainless steel faceplate with silk-screened designations may be flush mounted on a standard outlet box with single-gang plaster ring, or surface mounted on a Wiremold 5748 or equivalent.

Engineering Specifications: The contractor shall furnish and install these CORNELL Emergency Stations as indicated on the plans. Faceplates shall be satin-finish stainless steel with silk-screened designations. Calls in progress can be cancelled by moving the switch to off position. A red LED on the E-114-3 indicates calls in progress.

Technical Information:

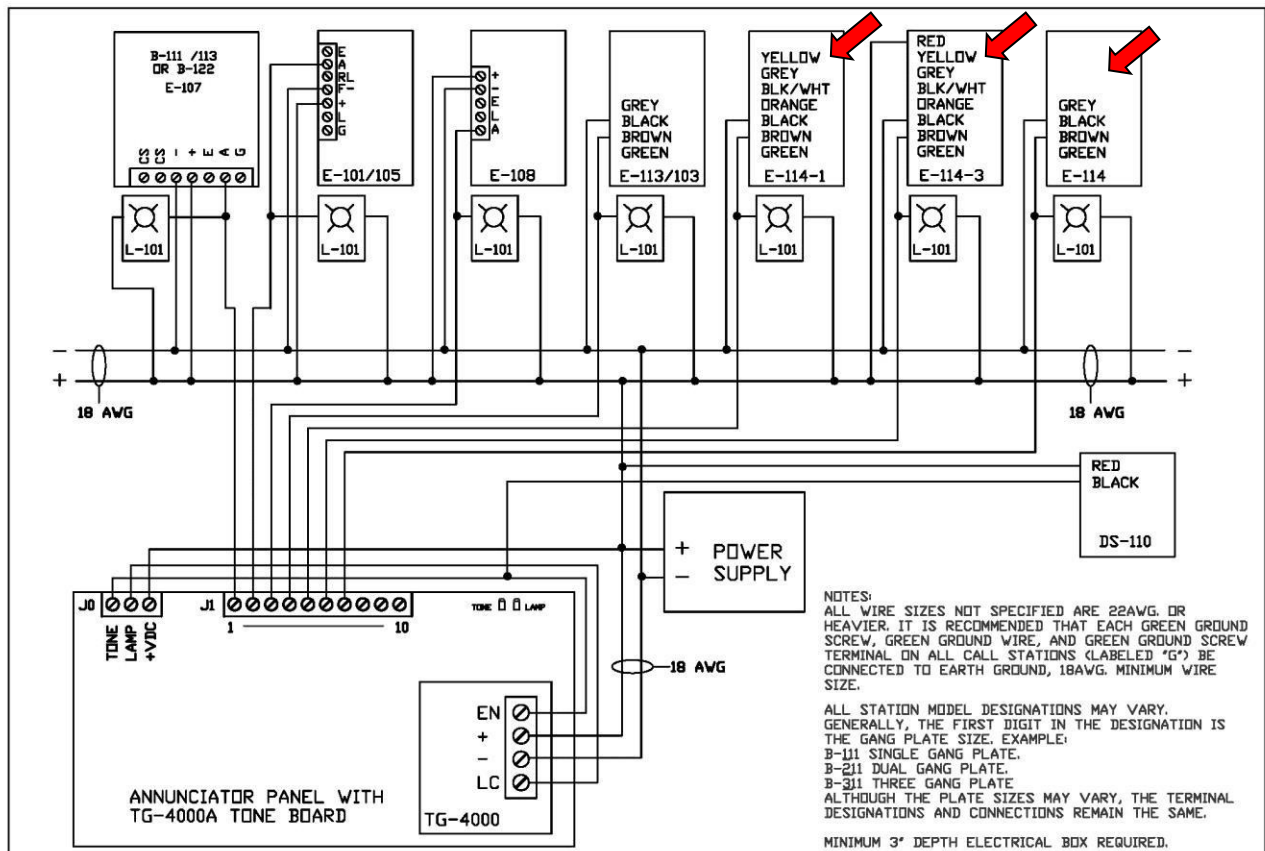
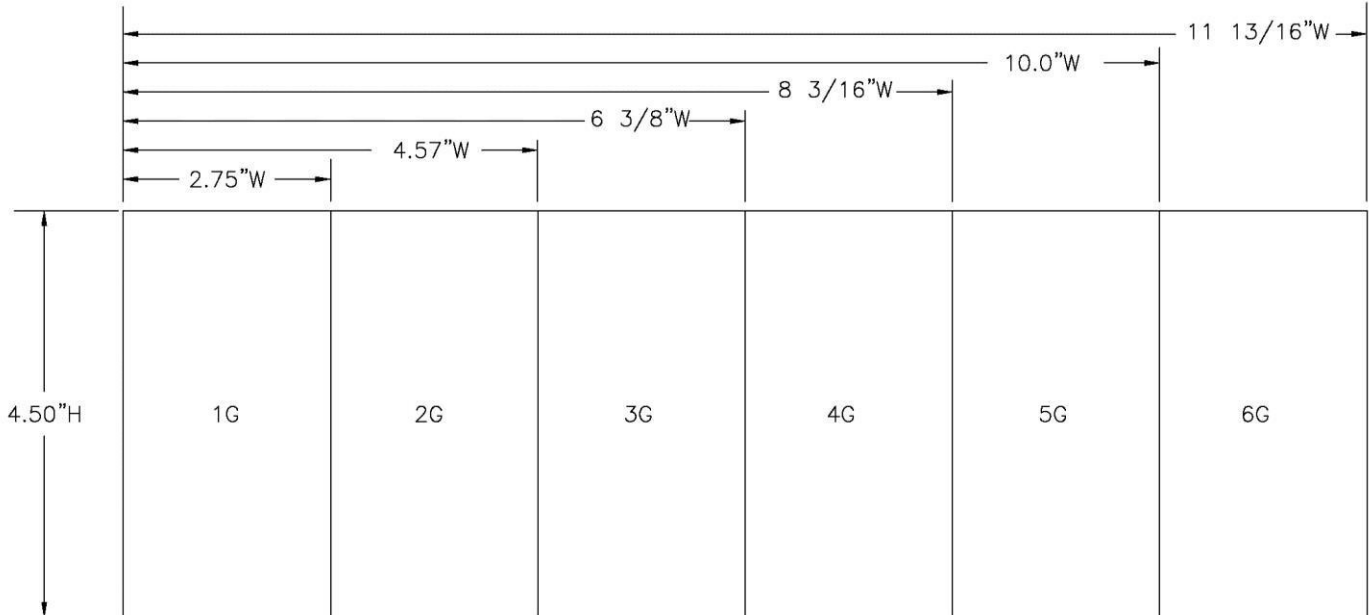
- Power Requirements: 24VDC
- Operating Environment: 50-120°F Indoor Non-condensing
- Physical Faceplate Dimensions: 4 ½ "H x 2 ¾ "W (Standard 1 Gang)
- Mounting: Single-Gang back box with 1¾" minimum depth
- Wiring: Field wiring terminations are wire leads.
- Now supplied with a plastic, anti-microbial, glow in the dark 4 ft long cord




Available in 1-6 gang sizes:

*stations are only UL Listed in the 1 gang size

*For correct part number, change first number (1) to gang size needed



 CORNELL Communications, Inc. sales@cornell.com 414-351-4660 Web: www.cornell.com 414-351-4657(fax)	DATE: DECEMBER 15, 2010	SYSTEM: 4000 NURSE CALL
	TITLE: SINGLE STATUS SYSTEM	DRAWING # 90003-10

