

# Dome Stations

## CFA Series

The Edwards 7641 and 7641R Series Dome Stations are used to visually indicate the placement of calls from a connected pull station. Stations are available with 1, 2 or 4 lamps; the domes, available in white or red, are designed with barriers between the lamps to prevent visual interference of signals.

The 7641 and 7641R mount in a standard single or double gang box with a plaster cover and a minimum depth of 1 1/2" (38mm). Boxes and plaster covers not supplied.

### Features and Specifications

- Available with 1, 2 or 4 lamps
- Stainless steel faceplate
- White or red dome



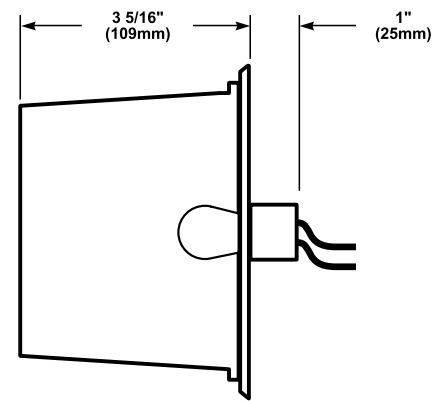
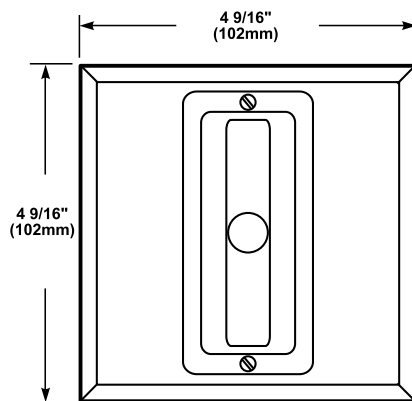
### Ordering Information

Description	Cat. No.	Operating Voltage	VA Per Lamp	Dome Color	Replacement	
					Dome	Lamp - Clear/Red
1 Lamp Station white lamp	<b>7641-1G5</b>	24V AC	5.0	White	P-047047-0006	Industry Trade No. 313 <sup>1</sup> / -
	<b>7641-1N5</b>	120V AC	6.0	White	P-047047-0006	Industry Trade No. 6S6 <sup>1</sup> / -
2 Lamp Station 1 white, 1 red	<b>7641-2G5</b>	24V AC	5.0	White	P-047047-0006	Industry Trade No. 313 <sup>1</sup> / P-036350-0001 (24V)
	<b>7641-2N5</b>	120V AC	6.0	White	P-047047-0006	Industry Trade No. 6S6 <sup>1</sup> / P-008636-0001 (120V)
4 Lamp Station 2 white, 2 red	<b>7641-4G5</b>	24V AC	5.0	White	P-047047-0006	Industry Trade No. 313 <sup>1</sup> / P-036350-0001 (24V)
1 Lamp Station white lamp	<b>7641R-1G5</b>	24V AC	5.0	Red	P-047047-0008	Industry Trade No. 313 <sup>1</sup> / -
	<b>7641R-1N5</b>	120V AC	6.0	Red	P-047047-0008	Industry Trade No. 6S6 <sup>1</sup> / -

<sup>1</sup>User supplied

### Weights and Dimensions

Cat. No.	Approx. Net Weight (lb.)	Approx. Shipping Weight (lb.)
<b>7641-1G5</b>	0.35	0.56
<b>7641-1N5</b>	0.35	0.56
<b>7641-2G5</b>	0.35	0.56
<b>7641-2N5</b>	0.35	0.56
<b>7641-4G5</b>	0.35	0.56
<b>7641R-1G5</b>	0.35	0.56
<b>7641R-1N5</b>	0.35	0.56



6 CALL FOR ASSISTANCE