

Horn/Strobe CFA Series

The Edwards 6536-G5 Horn/Strobe is an audible/visual signaling device that may be used in a variety of system configurations including call for assistance applications.

Designed for installation in a single gang 2" (51mm) x 4" (102mm) box.

Features and Specifications

- Neutral white color
- 92dB at 1 meter/82dB at 10 ft.
- UL 1638 listed



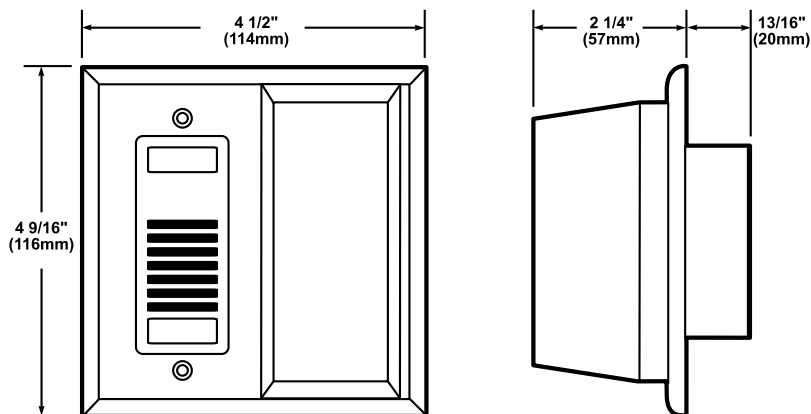
Ordering Information

Description	Cat. No.	Operating Voltage	Current	Lens Color	dB at 1m/10ft.	Strobe Candela
Horn/Strobe	6536-G5	24V AC	0.175 A @ 24V AC ¹	Clear	92/82	50
		24V DC	0.125 A @ 24V DC			
	6536A-G5	24V AC	0.175 A @ 24V AC ¹	Amber	92/82	40
		24V DC	0.125 A @ 24V DC			
	6536B-G5	24V AC	0.175 A @ 24V AC ¹	Blue	92/82	17
		24V DC	0.125 A @ 24V DC			
	6536G-G5	24V AC	0.175 A @ 24V AC ¹	Green	92/82	29
		24V DC	0.125 A @ 24V DC			
	6536R-G5	24V AC	0.175 A @ 24V AC ¹	Red	92/82	25
		24V DC	0.125 A @ 24V DC			

¹AC voltage frequency is 50/60 Hz

Weights and Dimensions

Cat. No.	Approx. Net Weight (lb.)	Approx. Shipping Weight (lb.)
6536-G5	0.46	0.65
6536A-G5	0.46	0.65
6536B-G5	0.46	0.65
6536G-G5	0.46	0.65
6536R-G5	0.46	0.65



6
CALL FOR ASSISTANCE